

C4350S-C1



Product characteristics

- Integrated Intel® Celeron J4105 1.5GHz quad core quad threading processor
- 1 * SODIMM memory socket, supports DDR4 2400MHz memory, and supports up to 8GB
- 1 * VGA+1 * HD OUTPUT 1.4 display output
- 1 * RTL8111H gigabit interface, supporting network wake-up and PXE functions
- 1 * RS232 DB9 serial interface
- 4* USB3.0, 2* USB2.0
- DC 12V power input
- Fan free cooling structure, all aluminum alloy
- Support 1 * SIM card slot

Model No.	C4350S-C1 V1.0(J4105)	
Case	Material/Structure	All aluminum alloy, no fan cooling structure
	Color	Iron gray + fog silver
	Dimension(L*W*H)	141.5*126*61MM
	Installation	0.98KG
	CPU	Table top/wall mounted
Motherboard	Display	Integrated Intel®Celeron J4105 1.5GHz quad-core four-thread processor,TDP 10W
	RAM	Integrated Intel® UHD Graphics 600 core graphics card
	POWER	1* SODIMM slot for supporting double data rate 4 (DDR4) 2400MHz memory modules
Front I/O Port	LED	1* Power switch
	USB	1* Hard disk indicator, 1 x power indicator
	Audio	4* USB3.0 interface
	SIM	1 * PS / 2 interface
Rear I/O Port	POWER	1*4pin(including 1* power indicator signal, 1* power switch signal)
	Display Port	1*VGA port (1920X1200@60Hz), 1* HD OUTPUT1.4 port (4096x2304@24Hz)
	LAN	1* Realtek8111H gigabit NIC, which supports wake up and PXE functions
	USB	2* USB2.0 interface
	COM	1*RS232 DB9 interface
	Power Supply	1* Mic 1*Line out
	MSATA	1* DC power port supports 12V DC power input
Storage	M.2	1* 2.5-inch notebook hard disk bit (not supported by default, if you need to support, the motherboard needs to change materials, and need to brush BIOS, and the motherboard M.2 only supports SATA, not NVME)
	Mini PCIE	1 x M.2 slot, the 2280 supports NVME PCIe4 and SATA adaptive (If the I/O board needs to support 2.5-inch hard disks, the M.2 supports only SATA mode, not NVME PCIe4 mode)
Expansion	M.2	1* M.2 slot 2230, supporting WiFi
OS support	Microsoft Windows	Windows 10
	Linux	Ubuntu
	Watch Dog	Support hardware reset function (256 levels, 0-255 seconds)
Power Supply	Power Type	External power adapter
	Voltage Input	DC 12V
	Power output	AC TO DC、36W / 60W
Environment	Operating Temp.	-10°C ~ 60°C
	Storage Temp.	-20°C ~ 70°C
	Relative Humidity	5%-95% relative humidity, no condensation



无风扇工控机

所有产品规格变更, 均不另行通知

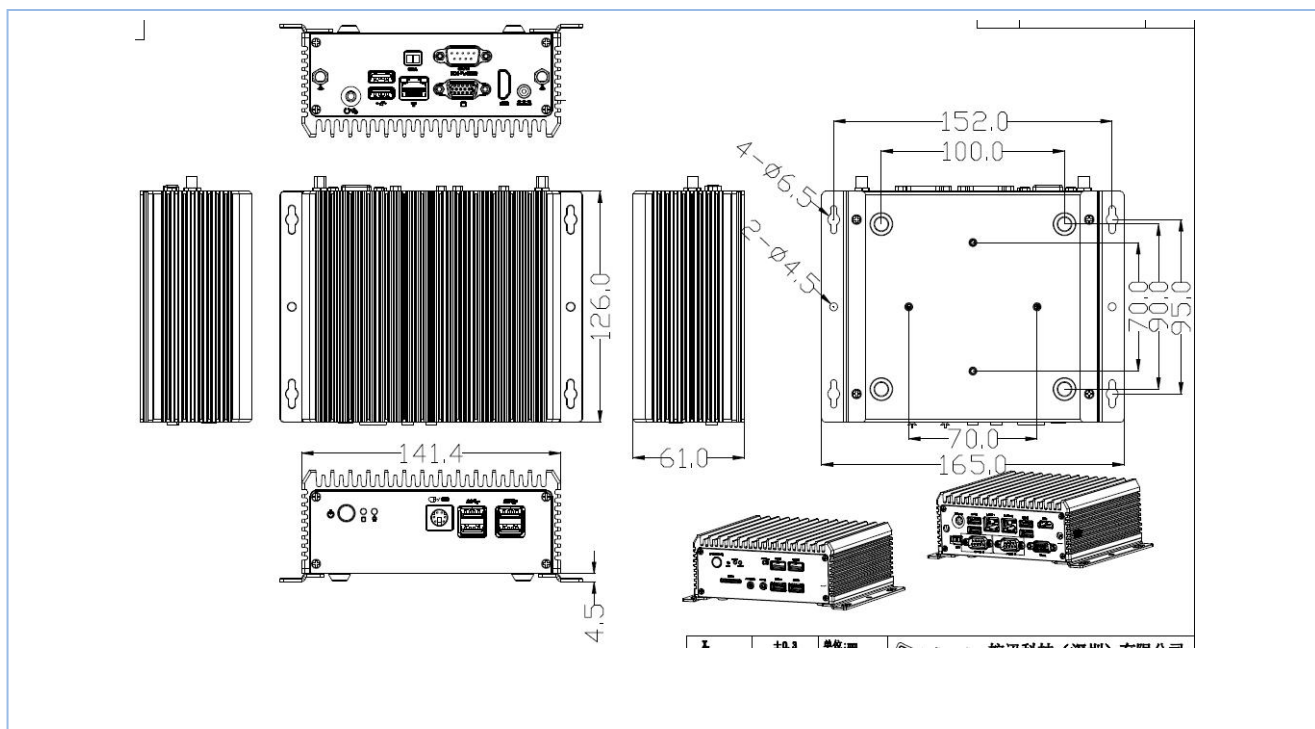
Working Vibration	0.5g rms/5-500HZ/random/operating
-------------------	-----------------------------------



无风扇工控机

所有产品规格变更，均不另行通知

C4350S-C1尺寸图



前面板I/O视图



后面板I/O视图



订货信息

No.	Model	Processor	Motherboard	IO Board	Memory	LAN	COM	HD OUTPUT	VGA	USB2.0	USB3.0	PS/2	power
1	C4350S-C1 V1.0(5205U)	5205U/1.9GHz	STX-F52_1L	F52-IO	1*DDR4	1*8111H	1	1	1	2	4	1	DC 12V
2	C4350S-C1 V1.0(J4105)	J4105/1.5GHz	STX-F41_1L	F52-IO	1*DDR4	1*8111H	1	1	1	2	4	1	DC 12V
3	C4350S-C1 V1.0(J4125)	J4125/2.0GHz	STX-F41_1L	F52-IO	1*DDR4	1*8111H	1	1	1	2	4	1	DC 12V



无风扇工控机

所有产品规格变更，均不另行通知